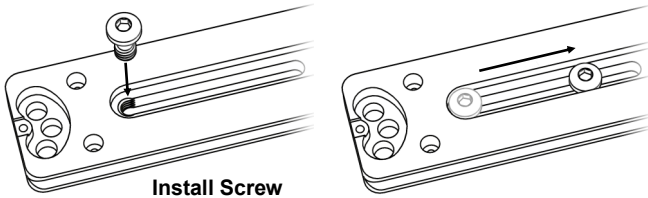


About the P-40

The P-40 is a 5.88" long, double dovetail, Arca-Swiss style quick-release plate. It is used to connect a camera lens, fitted with both a rotation collar and tripod mounting foot, to a compatible quick-release clamp. Wimberley plates are compatible with most Arca-Swiss style quick-release clamps, such as those made by Wimberley, Really Right Stuff, Kirk Enterprises, Markins, Arca-Swiss, Foba, Graf and others.

Installation Instructions

- 1. Determine the number of screws you need.** If your lens foot has **more than one mounting hole**, it is recommended that more than one hole be used to mount the plate to keep the plate from twisting on the foot. For a lens foot with **one mounting hole**, see (Fig. 4) below.
- 2. Use the threaded end of the slot to remove or add screws**



- 3. Install safety stop screws** (Fig. 6 on p. 2). This is not required, but it is highly recommended to insure the safety of your gear.
- 4. Determine the size of the mounting hole(s).** If your lens foot has **one or more 3/8" mounting holes**, install the reducer bushing into the 3/8" mounting hole. Wimberley sells additional bushings.
- 5. Attach the lens plate to the foot of your lens.** When removing or installing the plate, loosen screws gradually while gently pulling the plate flush against the screw caps to prevent binding of the screw threads in the center slot of the plate.
- 6. Slide fore-aft to balance if needed**
- 7. Tighten the screws firmly**

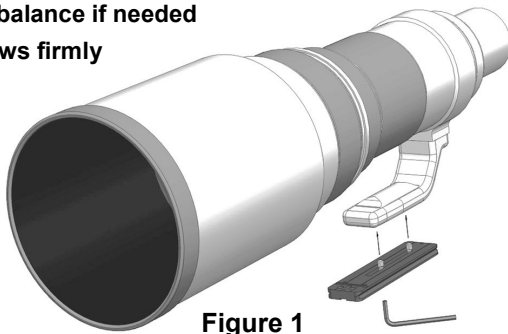


Figure 1

Positioning the plate on your lens: The plate position can be adjusted on the lens foot to suit your needs. It can be positioned either **facing forward** (Fig. 2) or **facing backward** (Fig. 3). The plate's elongated center slot allows you to adjust the back and forth position of the plate on the lens foot (illustrated with arrows in Fig. 2 & 3) while the screws are still engaged. Loosen the screws just enough to free up the plate then position the plate so that you:

- 1) Are able to balance the lens in all scenarios (e.g. with teleconverters, flash brackets, different camera bodies, etc.)
- 2) Have enough plate contained within the clamp for a secure mount.

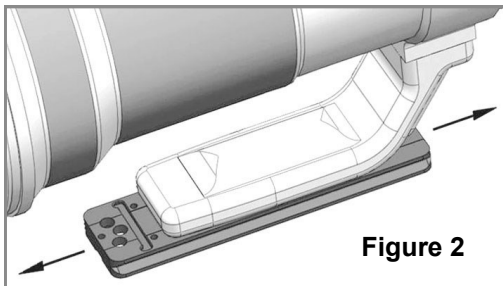


Figure 2

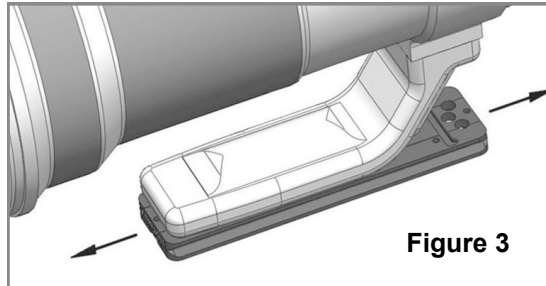


Figure 3

Additional Anti-twist Feature:

If your lens foot has only one mounting hole, the two extra safety stop screws included with your plate can be used to prevent the plate from twisting on the lens foot (fig 4). Thread the small screws into the two counter-bored holes in the plate, so that the screw ends protrude from the top of the plate (the side you attach to your lens foot). When installed in this fashion they provide a set of anti-twist nubs that can be seated flush against the front or back of your lens foot to prevent rotation.

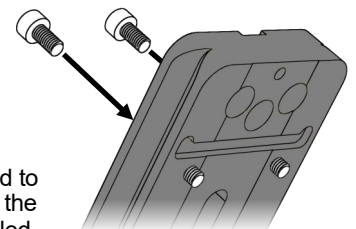
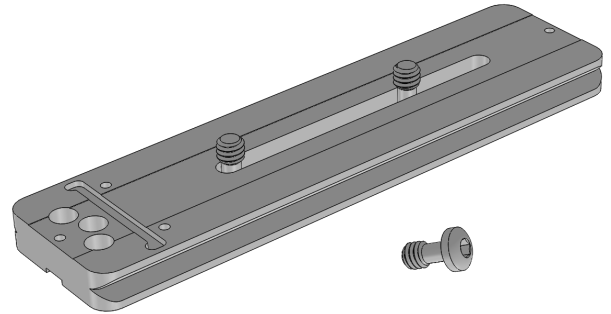


Figure 4

Wimberley


P-40 Quick-release Lens Plate



Weight: 4.0 oz
Dimensions (L x W x H): 5.9" x 1.5" x 0.4"
Materials: Anodized 6061 Aluminum, Stainless Steel

Package Contents:

- Arca-Swiss Style Plate: P-40 Lens Plate (Qty 1)
- Mounting Screws: SW-100 — 1/4"-20 x 1/2" (Qty 3)
- Safety Stop Screws: M3 x 6mm Socket Head Cap (Qty 4)
- Reducer Bushing: BS-100 — 3/8" to 1/4" Brass Bushing (Qty 1)
- Hex Key: 5/32 (Qty 1)
- Hex Key: 2.5mm (Qty 1)

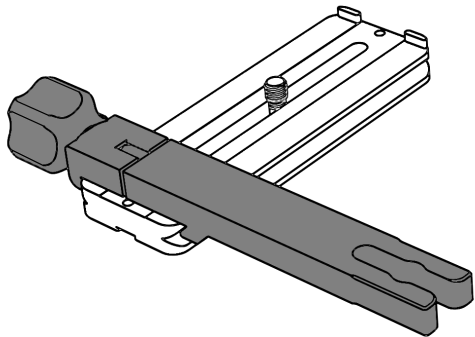
Made in USA 

Wimberley, Inc. Phone: 1-434-529-8385
1750 Broadway St Toll Free: 1-888-665-2746 (USA & Canada)
Charlottesville, VA
22902 USA www.tripodhead.com info@tripodhead.com
10 Year Warranty – See www.tripodhead.com/warranty.cfm for complete details

Instructions continued on back >>

— Using Flash Brackets

Wimberley lens plates have a double dovetail cross-section. The upper dovetail allows you to attach Wimberley Flash Brackets as well as other 3rd party quick-release style brackets.



Flash bracket mounting groove

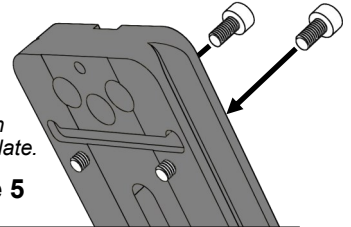
For RRS Brackets

For Kirk Brackets

Wimberley plates are also made to accommodate older Really Right Stuff (RRS) and Kirk screw-mount flash brackets

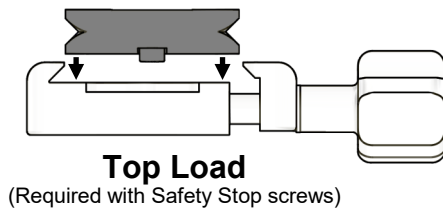
NOTE: When using older Kirk screw-mount flash brackets, you must install the two extra safety stop screws in the counter-bored holes in order to keep the bracket from twisting on the plate.

Figure 5



— Using the Optional Safety-Stop Screws

Your Wimberley foot comes with four safety stop screws and a matching hex key. Two of these screws are intended to be screwed into the small bottom threaded holes in the front and back of the plate (Fig. 6) to serve as stops that prevent the plate from accidentally sliding out of the quick-release clamp. If you opt to use both stops, you must open the jaws of the quick-release clamp wide enough to load your lens from the top (instead of sliding it in).



Top Loading is less convenient, but you can be certain that your lens will not slide out of the clamp.

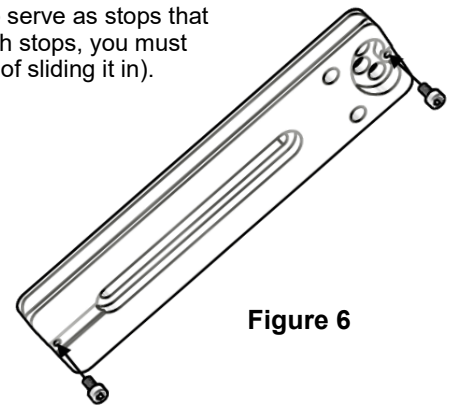
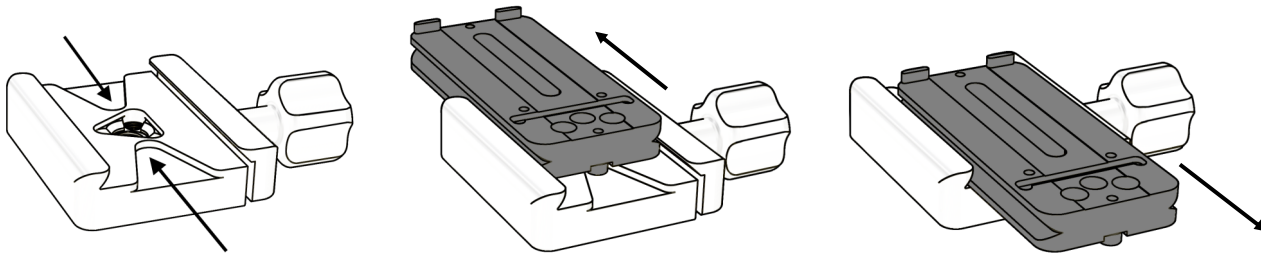


Figure 6

Safety Stop Channels We recommend using clamps with safety stop channels. These channels allow a full range of forward and back motion but will not let the plate slip out if the clamp is inadvertently loosened.



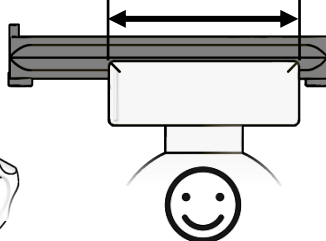
⚠️ 3rd Party Clamp Warning: Our safety stop screws work with most 3rd party quick-release clamps, but clamps that do not have channels and are too wide to be straddled by the safety stop screws will not work.

Your clamp must have safety stop channels **OR**



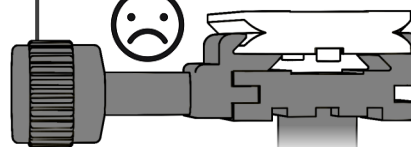
Safety Stop Channels

be short enough to allow the plate to straddle the clamp

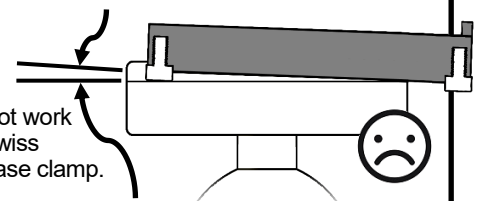


Arca-Swiss Z1

The safety-stop security feature of this plate does not work when used with an Arca-Swiss "double-decker" quick-release clamp.



If this plate safety feature is important to you, we recommend replacing the clamp with a Wimberley C-12 QR Clamp.



Clamps without safety stop channels (or those without adequate clearance) will **insecurely** clamp the plate at an angle

Thank you for your interest in Wimberley products. If you have any questions or comments please feel free to contact us.